



A COMPANY OF STPI GROUP

REBM410

Military Specified

Meets MIL-PRF-83726

General Characteristics

No. of Poles:	4 Form C (4PDT)
Dimensions:	1.025" x 1.025" x 1.51" (26.0 x 26.0 x 38.4)mm
Weight:	0.19 lb. (86.2 grams)

Switching Characteristics

Time Delay:	Select from 0.1 to 600 seconds ±10%, add ±10 ms for timing less than 1 sec
Timing Accuracy:	
Recycle Time:	50 ms. Max
Mechanical Life:	400,000 Cycles

Environmental Characteristics

Temperature Range:	-55°C to +125°C
Vibration (Sinusoidal)	30g 10-3,000 Hz
Shock (any axis)	100g, 6 ms
Seal:	Hermetic (1x10 ⁻⁸ atm cm ³ /s)

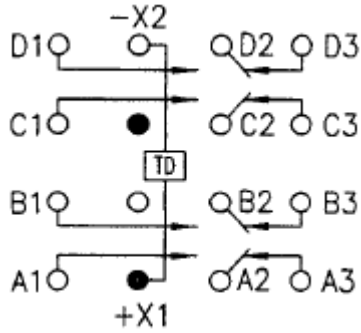
Electrical Characteristics

Contact Voltage Drop (at rated resistive load)		
-Initial:	150 mV Max.	
-After Guaranteed Life:	175 mV Max.	
Dielectric Strength @ Sea Level	Coil to Case	All Other Points
-Initial @ 60 Hz:	1,000 Vrms	1,000 Vrms
Insulation Resistance (Initial):	1,000 MΩ Min, @ 500 Vdc	
Back EMF (Transient Voltage):	50 Vdc Max.	
Input Voltage Range:	20 – 30 Vdc	
Operating Current (X1 – X2):	150 mA Max. @ 25°C	
Control Voltage (where applicable):	20 – 30 Vdc	
Control Current (where applicable):	15 mA Max. @ 25°C	

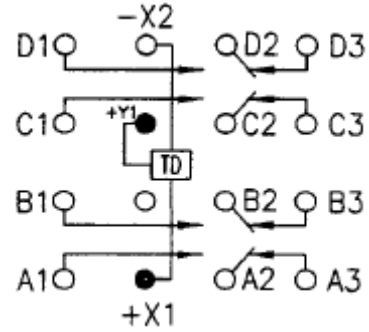
Contact Rating (Amps)

Type of Load (High Level)	Cycles x 10 ³	28 Vdc	115 Vac 400 Hz 1 Phase
Resistive	100	10	10
Inductive	20	8	8
Motor	100	4	4
Lamp	100	2	2

Circuit Diagram



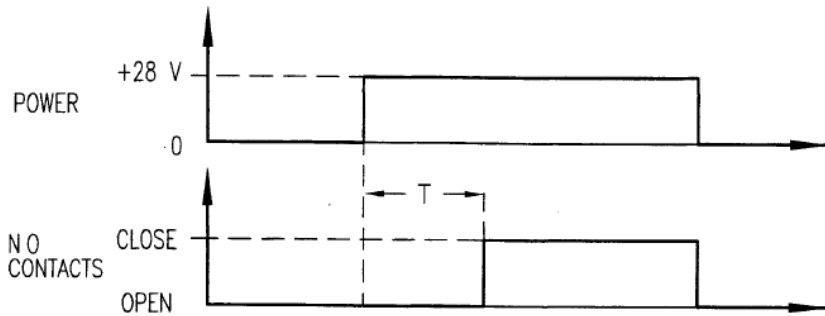
Delay on Operate
Fixed
Timing Code "A"



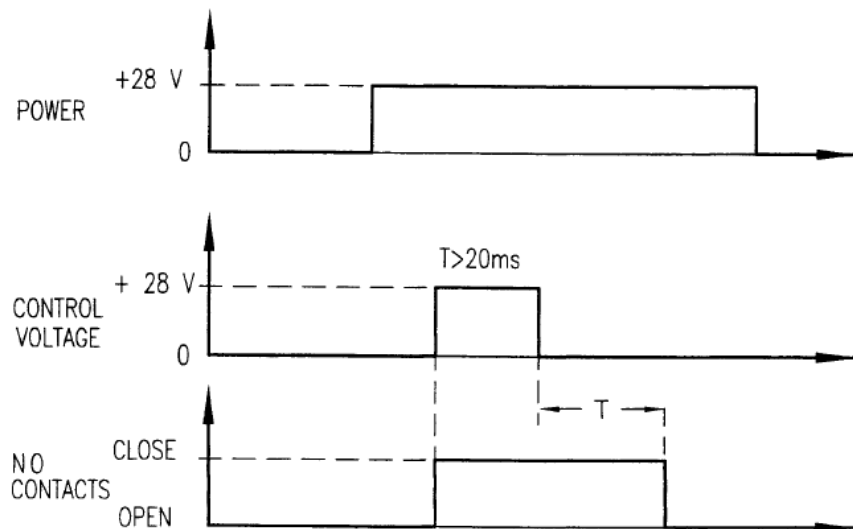
Delay on Release
w/Pos. Control
Fixed
Timing Code "J"

Timing Action

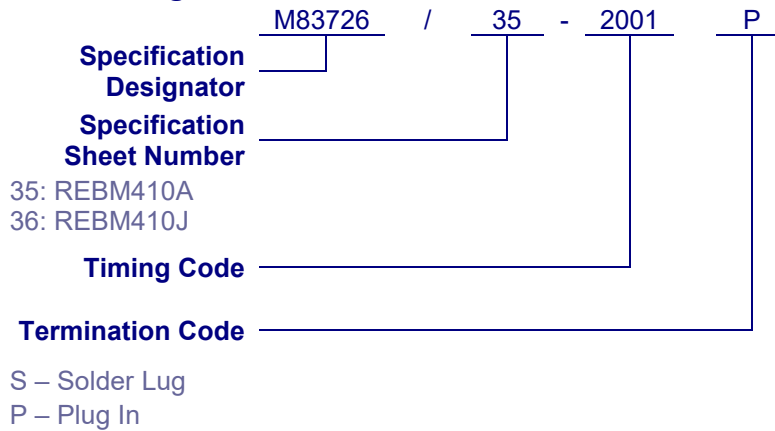
Delay on Operate
Timing Code "A"



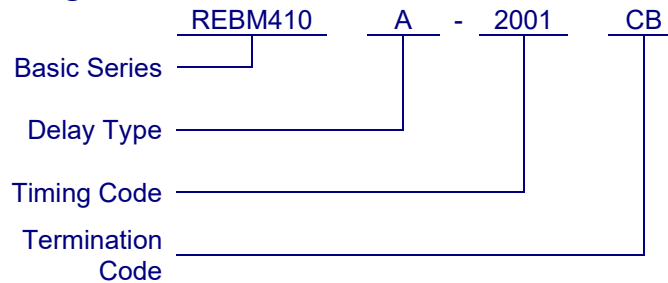
Delay on Release with
Positive Control
Timing Code "J"



Military Part Numbering



QPL Part Numbering



Timing Code

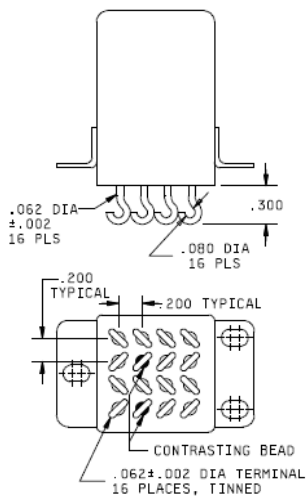
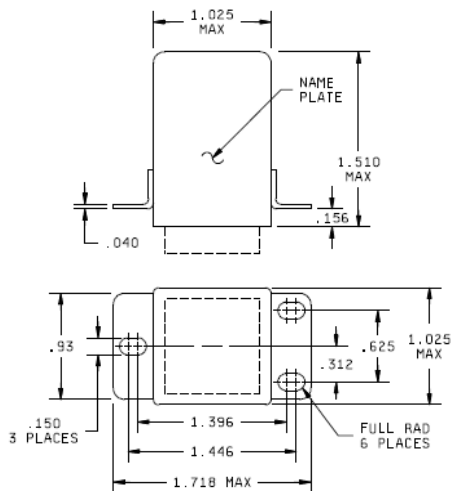
The first three digits are significant; the fourth is the number of zeros to follow the first three digits. The time is expressed in milliseconds and converted to seconds. (See examples)

Examples:

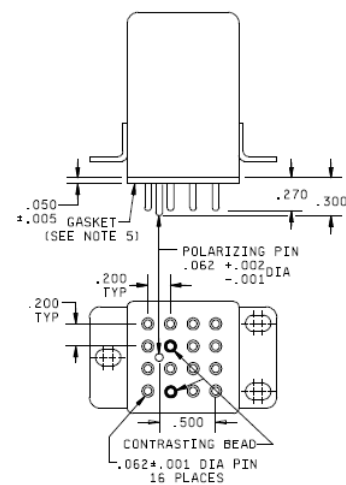
REBM410A-1001CB = 100 ms x 10 = 1000 ms = 1 second

REBM410A-9002CF = 900 ms x 100 = 90000 ms = 90 seconds

Termination Styles



Termination Code CF:
Solder Lug



Termination Code CB:
Plug in



A COMPANY OF STPI GROUP